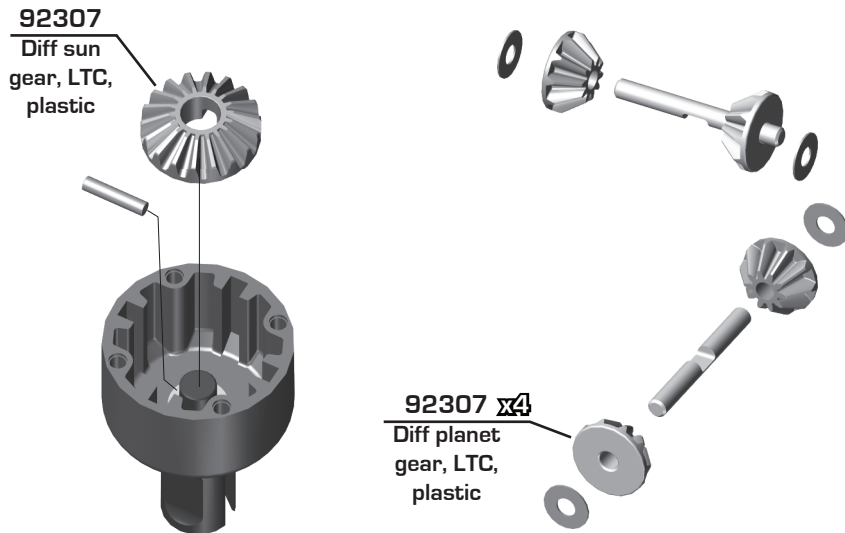
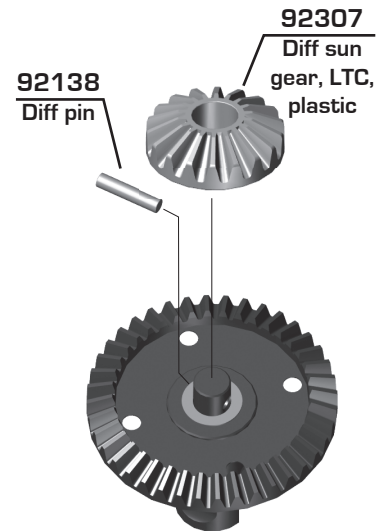


:: Bag 3 - Step 1



:: Bag 3 - Step 2

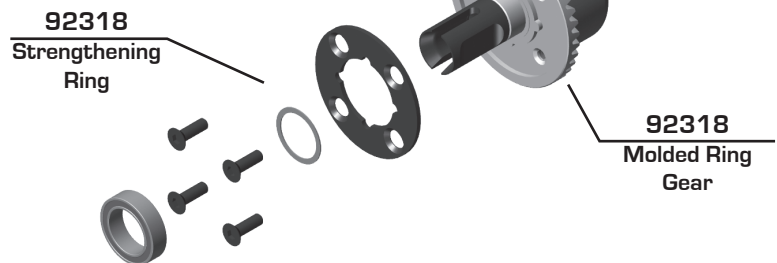


:: Bag 3 - Step 2

Remove the machined pinion gear and replace with molded pinion gear included in this set. Note that #92319 Pinion Gear Shim (5x6.5x1mm) will not be used with the molded pinion gear. Assemble molded ring gear and strengthening ring to diff case as shown below.

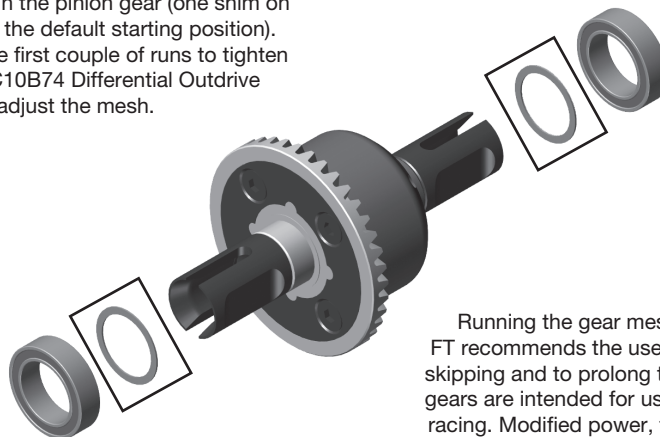


Be sure not to over-tighten the ring gear screws. This will lead to the gear warping.



:: Bag 4 - Steps 1, 3, and 4

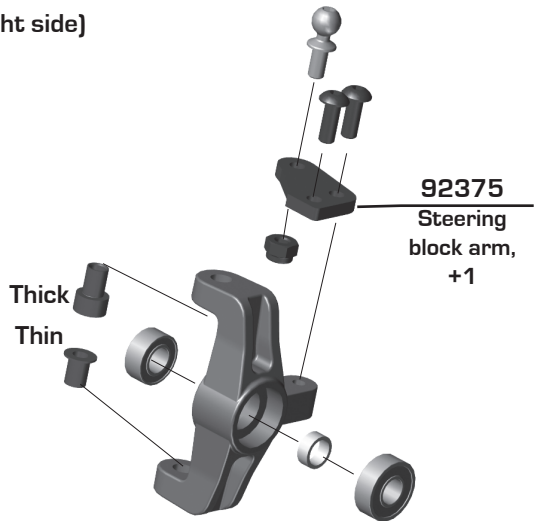
Both front and rear differentials should be shimmed tight from the start so that you can feel the teeth when you spin the pinion gear (one shim on both sides of the diff case side should be the default starting position). The gear mesh should be checked after the first couple of runs to tighten it back up if it has loosened. #92139 RC10B74 Differential Outdrive Shims can be used to finely adjust the mesh.



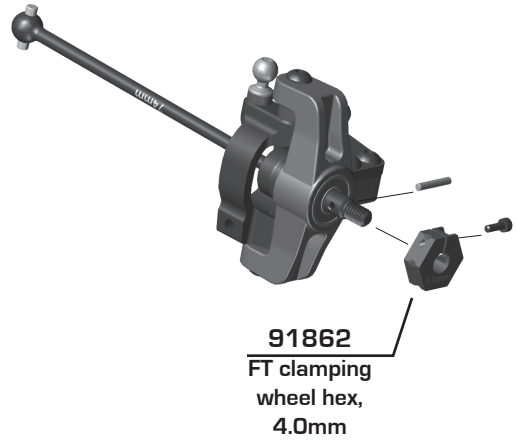
Running the gear mesh loose can result in premature failure. FT recommends the use of #6636 Silicone Grease to prevent gear skipping and to prolong the life of the gears. Please note that these gears are intended for use with a center differential and stock class racing. Modified power, the use of a slipper clutch, and running on carpet or astro turf can lead to early failure of these gears.

:: Bag 7 - Step 1

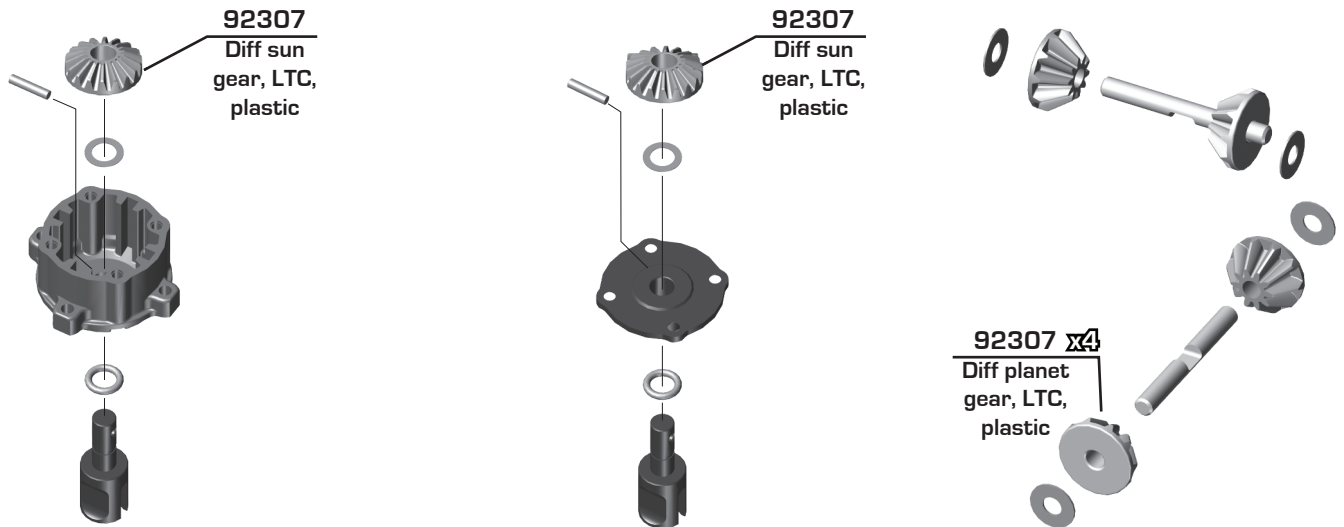
Build x2
(1 left side, 1 right side)



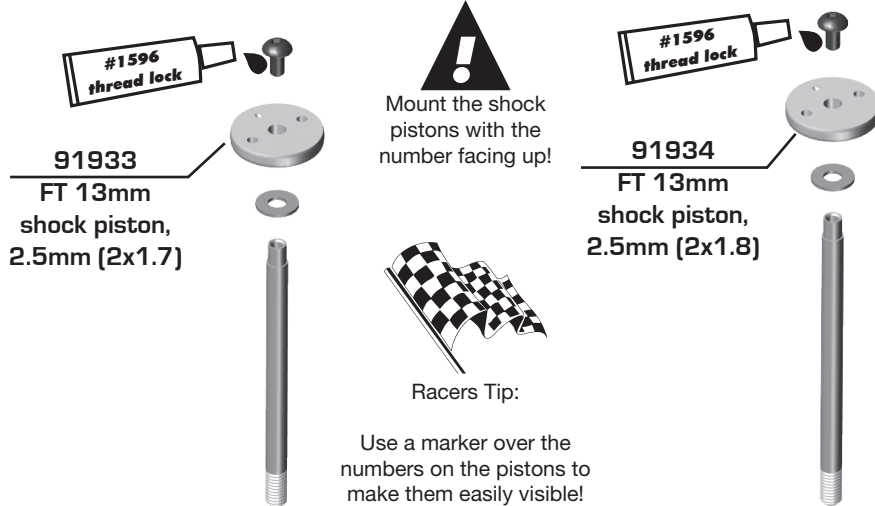
:: Bag 7 - Step 2



:: Bag 10 - Step 1



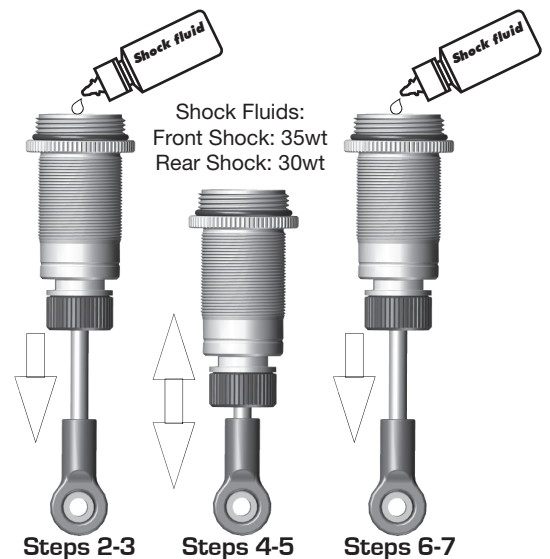
:: Bag 11 - Step 1



Build x2 front shocks

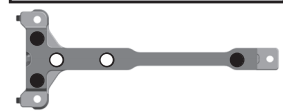
Build x2 rear shocks

:: Bag 11 - Step 4



Front Suspension:

Ride Height:	18mm
Camber:	-1deg
Toe:	1deg
Anti-Roll Bar:	1.2mm
Arm Type:	Gull Wing - Standard
Tower Type:	Gull Wing
Wheelbase Shim:	1mm behind arm
Wheel Hex:	4.0mm
Caster Block:	8° <input type="checkbox"/> 9° <input checked="" type="checkbox"/> 10° <input type="checkbox"/>
Chassis Brace Support:	2mm G10
Top Plate Brace:	None
Front Axles:	CVA <input checked="" type="checkbox"/> DCV <input type="checkbox"/>
Notes:	_____



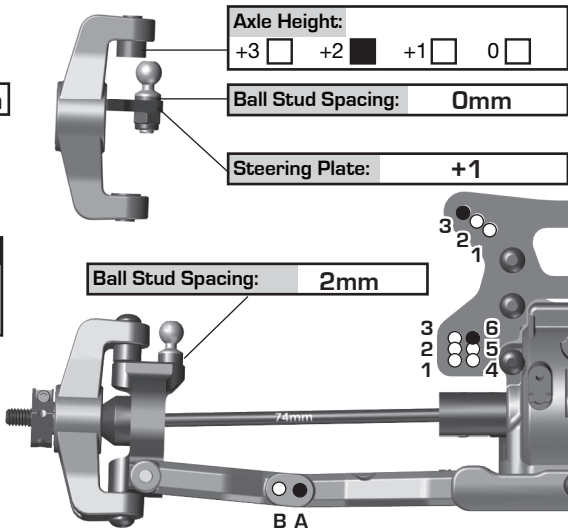
Arm Mount A: 1° 0.5°
 Gray Black



Arm Mount B: 1° 0.5°
 Gray Black



Diff Height:
 +2
 +0



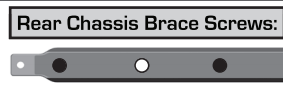
Axle Height:
 +3 +2 +1 0

Ball Stud Spacing: 0mm

Steering Plate: +1

Rear Suspension:

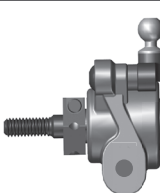
Ride Height:	18mm
Camber:	-1deg
Anti-Roll Bar:	1.3mm
Arm Type:	Standard
Wheelbase Shim:	2mm behind arm
Wheel Hex:	5.0mm
Chassis Brace Support:	2mm G10
Hub Spacing:	Fwd <input type="checkbox"/> Mid <input checked="" type="checkbox"/> Back <input type="checkbox"/>
Notes:	_____



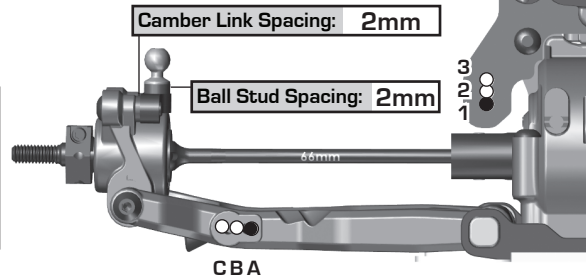
Arm Mount C: 1° 0.5°
 Gray Black



Arm Mount D: 1° 0.5°
 Gray Black



Axle Height:
 ▼0 3▲ +3
 ▼1 2▲ +2
 ▲1 2▼ +1
 ▲0 3▼ +0



Electronics:

Radio:	Servo:
EPA: Throttle: %	Brake: %
ESC:	
ESC Settings:	
Motor / Wind:	Timing:
Pinion:	Spur: 78T
Battery:	
Battery Position:	
Back 1 <input type="checkbox"/> 2 <input type="checkbox"/> 3 <input checked="" type="checkbox"/> 4 <input type="checkbox"/> Forward	
Battery Weight:	

Differential:

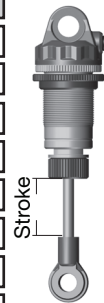
	Front	Center	Rear
Fluid:	10K	200K	10K
Gears:	Plastic	Plastic	Plastic
Type:	LTC	LTC	LTC
Notes:	Molded Ring and Pinion Gears		

Slipper Clutch:

Type:	
# of Pads:	
Setting:	

Shocks:

	Front	Rear
Piston:	2x1.7	2x1.8
Thickness:	2.5mm	2.5mm
Fluid:	35wt	30wt
Spring:	Yellow	Blue
Limiters:	Int: ___ Ext: ___	Int: ___ Ext: ___
Stroke:	22mm	28.5mm
Eyelet Length:	+2	0
Cup Offset:	9mm	0mm
Notes:		



Track Info:

Size:	Small <input type="checkbox"/> Medium <input type="checkbox"/> Large <input type="checkbox"/> Extra Large <input type="checkbox"/>
Surface:	Dirt <input type="checkbox"/> Carpet <input type="checkbox"/> Astroturf <input type="checkbox"/> Multi Surface <input type="checkbox"/>
Traction:	Low <input type="checkbox"/> Medium <input type="checkbox"/> High <input type="checkbox"/> Very High <input type="checkbox"/>
Moisture:	Dry <input type="checkbox"/> Damp <input type="checkbox"/> Wet <input type="checkbox"/>
Condition:	Indoor <input type="checkbox"/> Outdoor <input type="checkbox"/> Dusty <input type="checkbox"/> Hard Packed <input type="checkbox"/> Bumpy <input type="checkbox"/> Grooved <input type="checkbox"/> Smooth <input type="checkbox"/> Loamy <input type="checkbox"/>
Temperature:	Ambient: _____ Track: _____
Notes:	_____
Vehicle Comments:	_____

Tires:

Front Tires:	
Front Compound:	
Front Insert:	
Rear Tires:	
Rear Compound:	
Rear Insert:	
Wheel (F/R):	
Notes:	

Body, Wing, Weight:

Body:	Kit - Lightweight
Front Wing:	Yes <input type="checkbox"/> No <input checked="" type="checkbox"/>
Rear Wing:	Kit
Wing Angle:	0° <input type="checkbox"/> 6° <input checked="" type="checkbox"/>
Wing Mount Height:	0 <input checked="" type="checkbox"/> -2 <input type="checkbox"/>
Servo Weights:	
Electronic Weights:	
Total Vehicle Weight:	